

## 2050, 2100nm Polarization Insensitive / Sensitive Isolator (IS)

### Features

- Wide Operating Wavelength
- High Isolation & Low Insertion Loss
- Low PDL
- Telcordia GR-1221 Compliant
- Polarization Insensitive and Polarization Sensitive (Dependent)

### Application

- Fiber Amplifier
- Fiber Laser
- Surgical Equipment

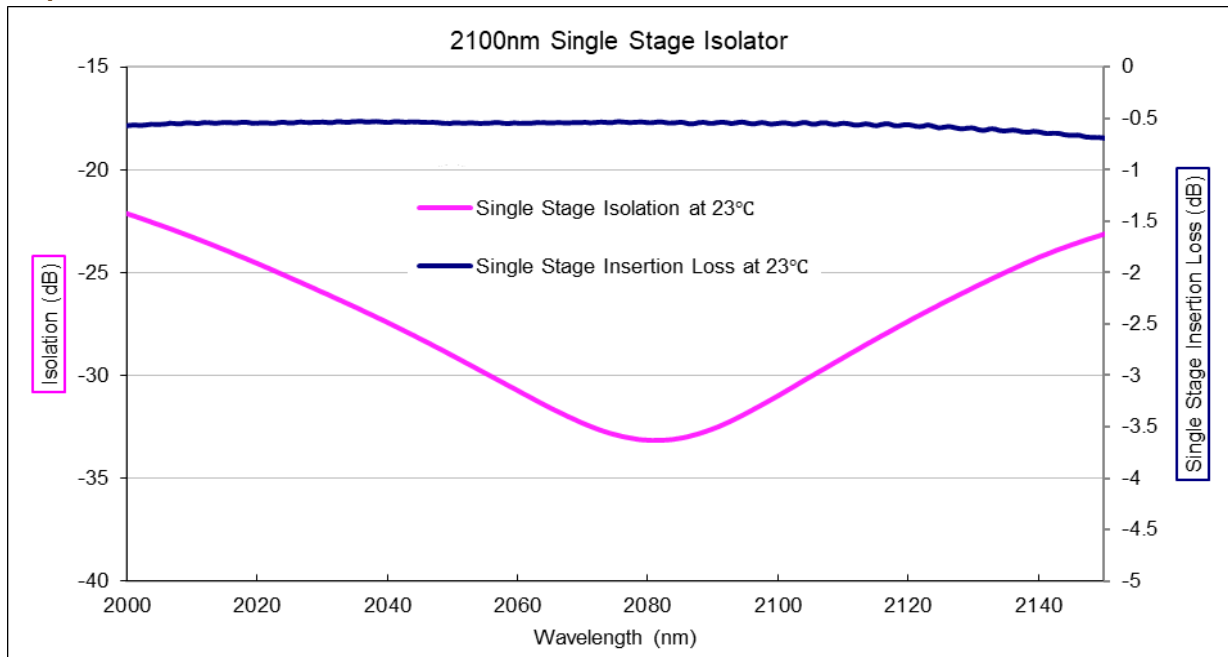


### Specifications

Parameters	Unit	Single Stage	Dual Stage
Center Wavelength	nm	2050, 2100	
Peak isolation	dB	30	45
Min Isolation ( $\lambda_c \pm 15\text{nm}$ , 23°C all sop)	dB	20	35
Typ. IL ( $\lambda_c \pm 20\text{nm}$ , 23°C all sop)	dB	0.90	1.10
Insertion Loss ( $\lambda_c \pm 20\text{nm}$ , -5 ~ +70 °C all sop)	dB	$\leq 1.5$	$\leq 1.80$
Polarization Dependent Loss (PDL)	Polarization Insensitive	dB	$\leq 0.05$
	Polarization Sensitive	dB	$\geq 20$
PMD	ps	$\leq 0.2$	$\leq 0.05$
Return Loss (Input / Output) (RL)	dB	$\geq 50/50$	$\geq 50/50$
Fiber Type		SMF-28e, SM1950	
Max Power Handling CW	mW	500	
Operating Temperature	°C	-0 ~ +75	
Storage Temperature	°C	-40 ~ +85	

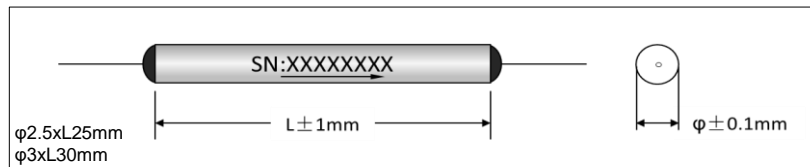
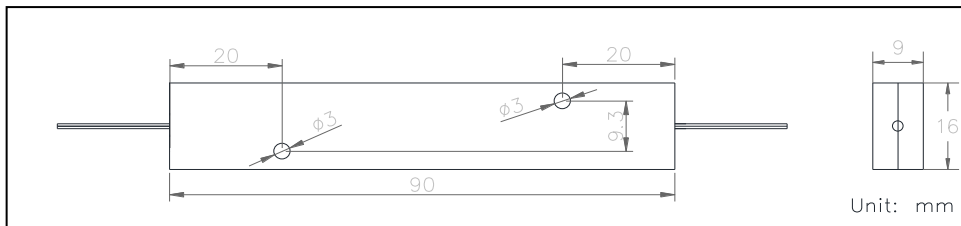
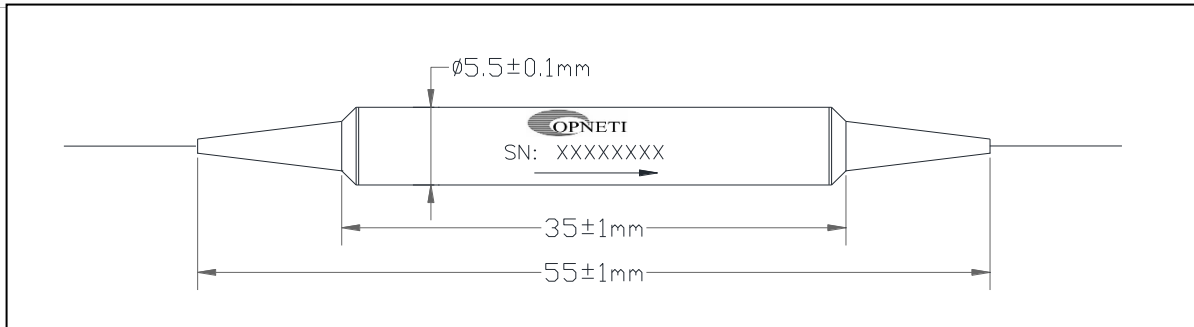
Above data test at room temperature without connectors. With connectors, IL+0.3dB, RL-5dB.

### Typical Spectrum



### Package Information

Fiber Length	1m, others on request		
Pigtail Type	250µm Bare Fiber	900µm Loose Tube	2mm/3mm Loose Cable
Dimensions(mm)	φ2.5x25, φ3x25, φ3x30, φ5.5x35,	φ5.5x35, 90x16x9	φ5.5x35(no boot), 90x16x9
Approx Weight (g)	35	50	65



### Ordering Information

IS- ①-②②②②②②②②②②②②②②②②-③-④④④④-⑤-⑥-⑦⑦

①	Type	S=Single Stage; D=Dual Stage;
②	Wavelength	2050, 2100;
③	Axis Alignment	1=Polarization Sensitive; 2=Polarization Insensitive;
④	Pigtail Type	250=250μm Fiber; 900=900μm Loose Tube; 2000=2mm Loose Cable; 3000=3mm Loose Cable;
⑤	Fiber Type	1=SMF-28e; S9=SM1950;
⑥	Fiber Length	1=1m; XX=other;
⑦	Connector	NE=None; FA=FC/APC; FC=FC/UPC; SA=SC/APC; SC=SC/UPC; LC=LC/UPC; XX=Others;